

Caldera

TotalColor qb

QB NEW FEATURES

Precise.

- Conformance to new ISO 13655-2017 «M1 method a» M0, M2, M3 measurement condition reflection and transmission
- New clamping system
- Measurement of fluorescent inks
- D50 illumination for backlit measurements
- New transmission holder M1

AUTOMATED SPECTROPHOTOMETER

A solution for high-end color management, TotalColor's automated table measures a vast range of media used in any printing technology.

Versatile

- Flexible, rigid, opaque, heavy, thick and transparent media
- Spot colors, linearization and profile creation
- Plain or structured surface

Automatic

- Fast multi-page measurements
- Auto-positioning feature

APPLICATION FIELDS

With EasyMedia

- Creation of high quality ICC profiles for best color reproduction
- For linearization of digital output devices

With PrintStandardVerifier option

- Verification of standards

TECHNICAL DATA

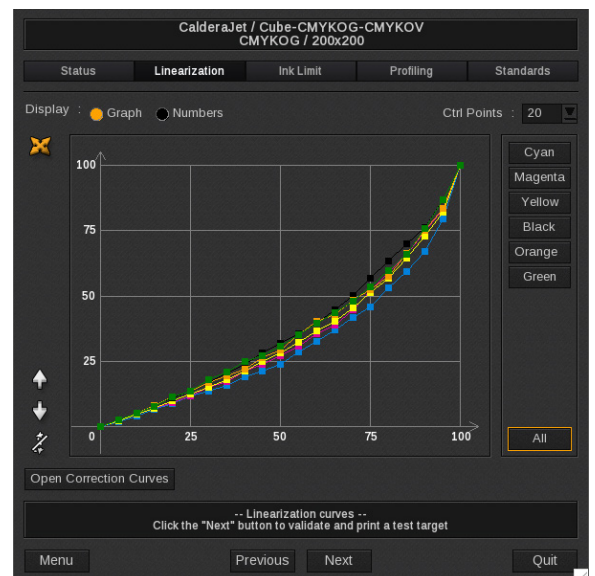
Maximum measuring area	290 x 200 mm
Target thickness	max 20 mm
Measuring apertures	reflection and transmission, 2/6/8 mm (switchable)
Interface	USB and Ethernet
Dimensions	571 x 433 x 160 mm (LxWxH)
Weight	11 kg net

Flexible.

- Removable measuring head for measuring spot colors
- Bigger measuring area
- Ethernet connection

Fast.

- Twice the speed of TotalColor Series 3
- Camera for instant automatic positioning



Linearization in EasyMedia

Caldera

TotalColor qb

WHAT IS QB-TECHNOLOGY?

Barbieri “qb-technology” is based on D50 LED illumination and contains the next generation of highest precision spectral core. It fully matches the new measurement condition M1 introduced with the ISO standard 13655-2009 that delivers full precision on color measurement.

This new technology opens a new area of applications for backlights in M1 and spot colors measurements.



1

Next Generation Spectral Core

The spectral core used in the Barbieri qb-technology guarantees accurate measurements with a spectral resolution of 2 nm and optical resolution of 10 nm.

2

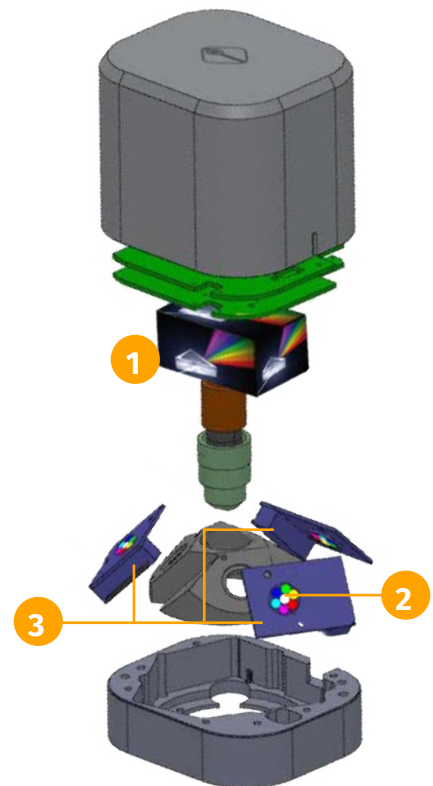
D50 Illumination Based on 7 LED

Thanks to 7 LED by Just Normlicht, D50 illumination is reached. It fully matches the new measurement condition M1 introduced with the ISO standard 13655-2009 that guarantees the same illumination between the measurement device and the viewing booth.

3

3 Light Sources for homogeneous Illumination of Media Surface

A circular illumination is simulated with 3 light sources positioned around the measuring aperture (120° offset). The surface is homogeneously illuminated to benefit to media with difficult surface, UV inks and large measuring apertures (6mm and more).



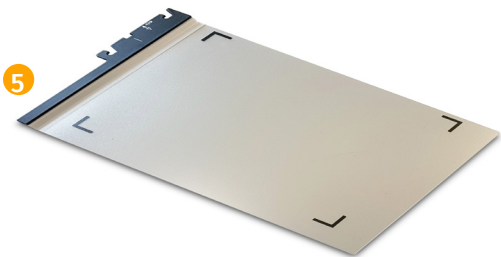
Caldera

TotalColor qb

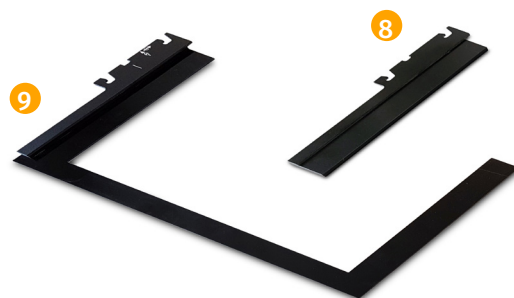
WHAT'S IN THE BOX?

WHAT'S INCLUDED:

- 1 Spectro LFP qb Spectral Unit
- 2 Spectro LFP qb Platform
- 3 Spectro LFP qb Sensing Unit
- 4 Standard reflection sample holder
- 5 Standard transmission sample holder
- 6 Spot Measurement Guide
- 7 Holder for extra heavy and thick reflective materials
- 8 Holder for transparent, thick materials
- 9 Frame transmission sample holder for M1 measurements



Exclusive to Caldera*!



Items 7, 8 and 9 are automatically included when purchasing the TotalColor qb from Caldera. Contact your Caldera reseller or sales representative for more information.